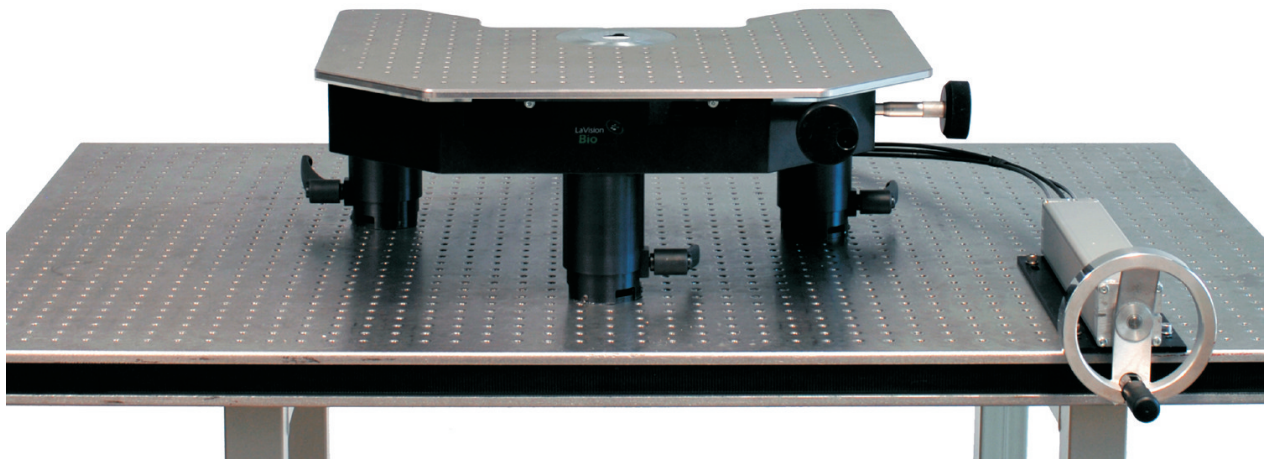


## Intravital Microscopy Stage



### Specifications

#### LaVision BioTec xyz-stage for intravital microscopy

Flexibel manual xy-table including hydraulic precision z-drive to adapt the table z-position to the specimen and objective dimensions. During image acquisition the stage will be fixed.

Dimension plate: 537 mm (width) x 450 mm (depth)

Height z: 190-270 mm

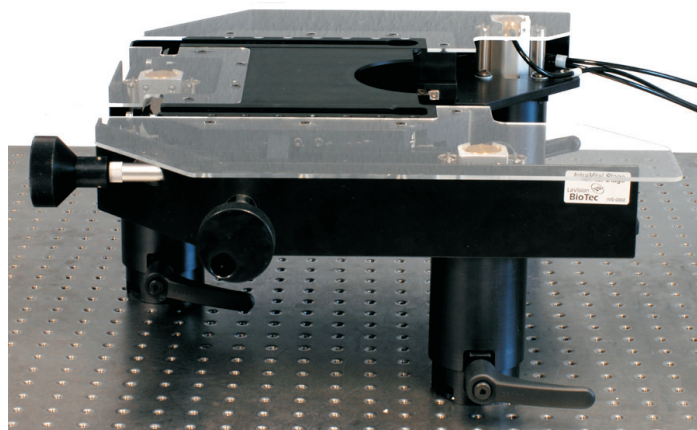
Maximum travel: 50 mm (x) x 50 mm (y) x 80 mm (z)

Resolution xy: 1  $\mu$ m

Sample Plate Holder: accepts sample plates with an outer diameter of 110 mm

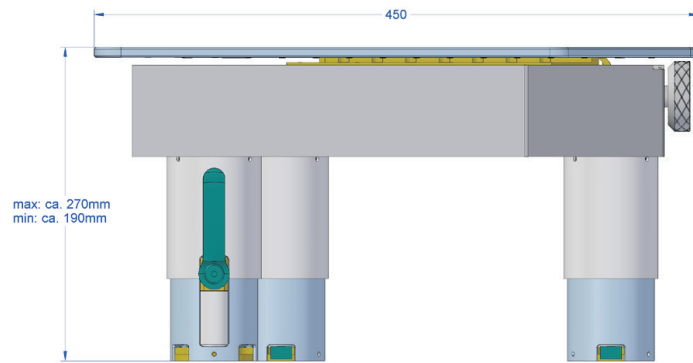
Top plate: removable, with underlying glass plate, made of stainless steel, with mounts for sample holder and a 25 mm x 25 mm thread [M6] array

### Removable Top Plate

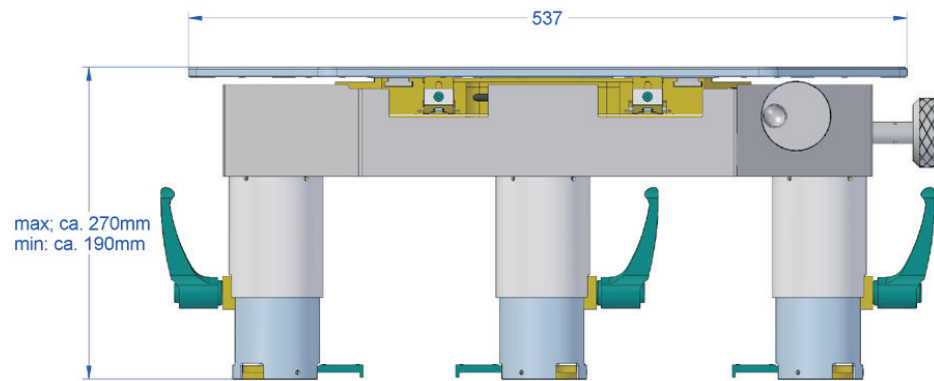


# Dimensions

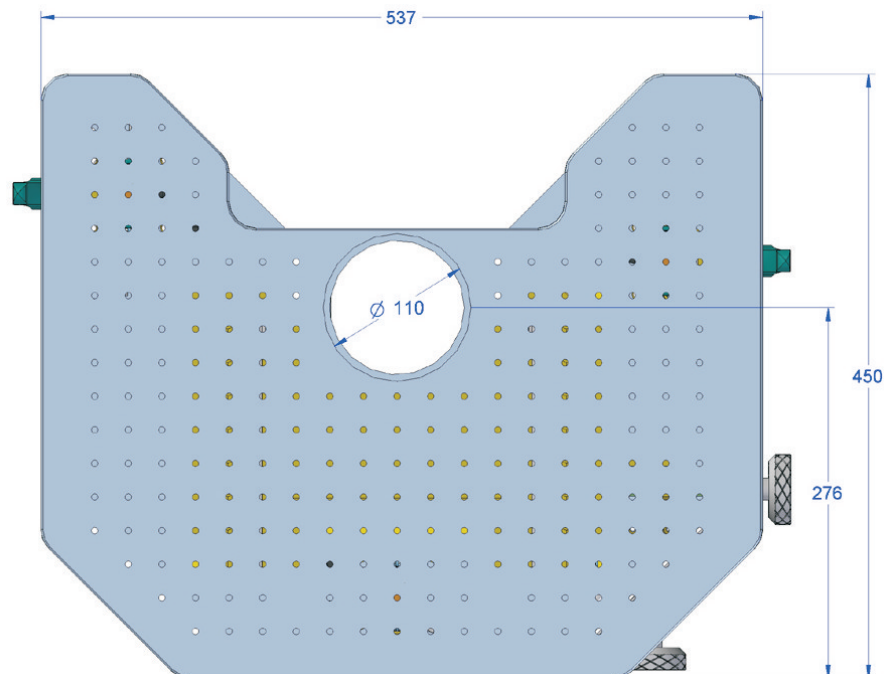
## Sideview



## Frontview



## Topview



## Contact

**LaVision BioTec GmbH**  
Meisenstraße 65  
D-33607 Bielefeld  
Germany

[www.lavisionbiotec.com](http://www.lavisionbiotec.com)  
[info@lavisionbiotec.com](mailto:info@lavisionbiotec.com)  
Tel: +49 (0) 521 2997 710  
Fax: +49 (0) 521 2997 701