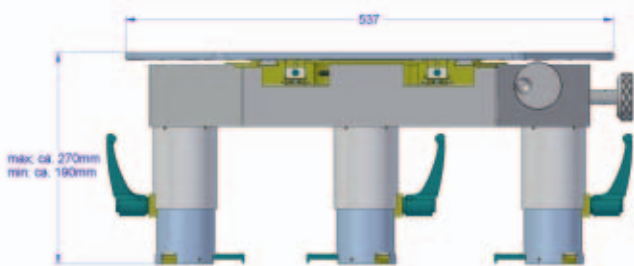
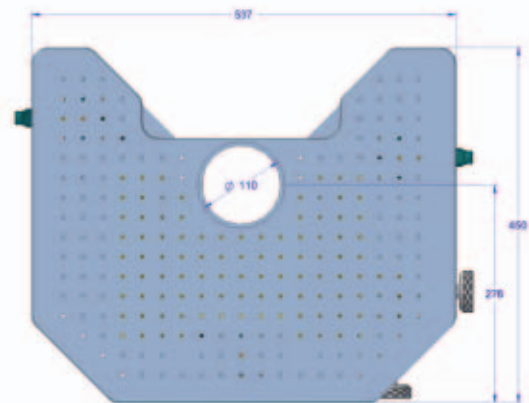


## Intravital Stage

>> *La Vision BioTec xyz-stage for intravital microscopy* <<



front view



top view

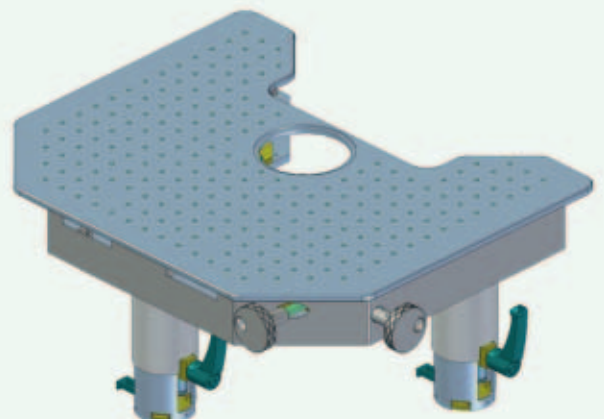
- Flexible intravital stage with long z-travel
- Fully motorized version with high accuracy
- Multi positioning for sample holder
- Software package supporting stitching

The Intravital Stage is a xy-table including hydraulic precision z-drive to adapt the table z-position to the specimen and the objective dimensions.

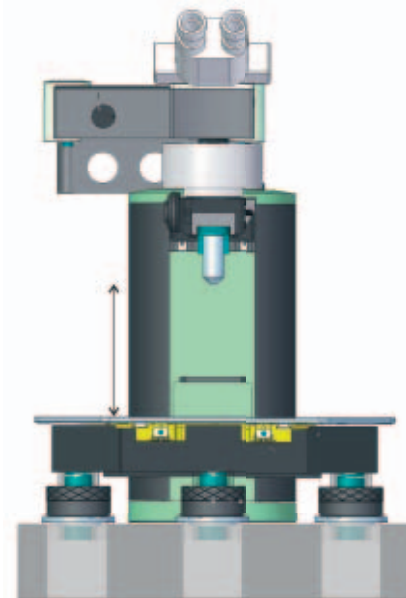
The intravital stage for upright microscopes can be delivered in 3 different versions:

1. xy manual, 80 mm z-travel
2. xy motorized, 80 mm z-travel
3. xy motorized, 180 mm z-travel

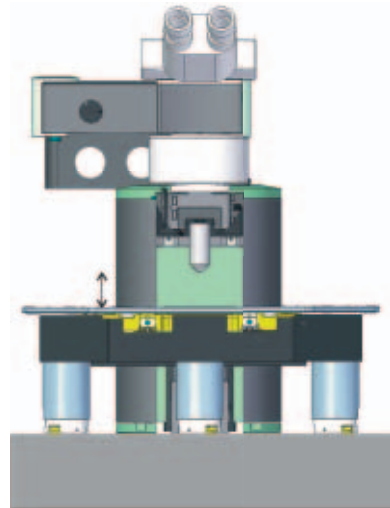
All versions include a manual hydraulic precision z-drive to adapt the table z-position to the specimen and objective dimensions. During image acquisition the stage will be fixed. The motorized version is integrated in the ImSpector Software package that supports image stitching.



## LaVision BioTec integrated Stand & Stage



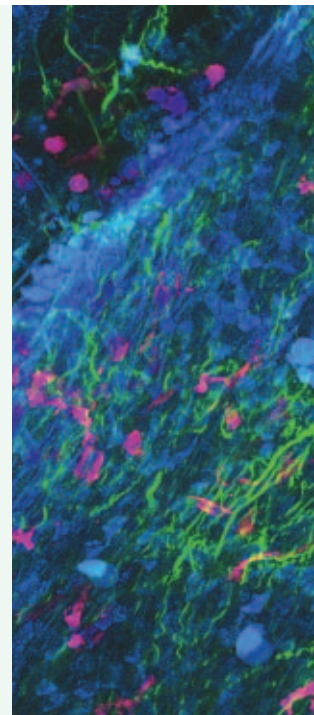
*large 200 mm  
Z travel*



*standard 75 mm  
Z travel*

### Specifications

Dimension plate:	537 mm (width) x 450 mm (depth)
Height z:	190-270 mm
Maximum travel:	50 mm (x) x 50 mm (y) x 80 [180] mm (z)
Resolution xy:	0.078 $\mu\text{m}$
Repetition accuracy:	1.0 $\mu\text{m}$
Maximum speed:	up to 4.4 mm/s
Sample plate holder:	accepts sample plates with an outer diameter of 110 mm
Top plate:	magnetic stainless steel, with mounts for sample holder and a 25 mm x 25 mm thread [M6] array



LaVision **BioTec** 

LaVision BioTec GmbH, Astastraße 14, D-33617 Bielefeld, Germany  
Fon: +49 / 521 / 91 51 39-0, Fax: +49 / 521 / 91 51 39-10  
Email: [info@lavisvisionbiotec.com](mailto:info@lavisvisionbiotec.com), Internet: [www.lavisvisionbiotec.com](http://www.lavisvisionbiotec.com)